

Product Datasheet

Sentinel Intrusion Prevention Systems

The most affordable Intrusion Prevention System available, and the only one that has Network Cloaking™. Sentinel IPS™ utilizes Network Cloaking, a technology that makes your protected network invisible to malicious external traffic, while allowing complete and uninterrupted access for legitimate users. Sentinel IPS is everything you need for state-of-the-art Intrusion Prevention in one affordable, fixed monthly fee, starting at only \$299/month.



Product Features

An appliance and security management service. Includes 24/7 monitoring, remote management services, update services, upgrades and enhancements.

Monthly fee structure substantially reduces capital expenditure and frees up time and money for other initiatives.

Easy to use browser-based administration with many configuration options and reporting tools.

Reporting tools are a great aid for compliance-related documentation.

Drops malicious packets before they reach your network, including the initial packet.

Options

There are three hardware options, and each receives the same level of personal, professional service and support:

Premium Our standard, rock-solid 1U rackmount unit with gigabit NICs

Advanced Adds bypass functionality, fail-open NICs, and beefier hardware

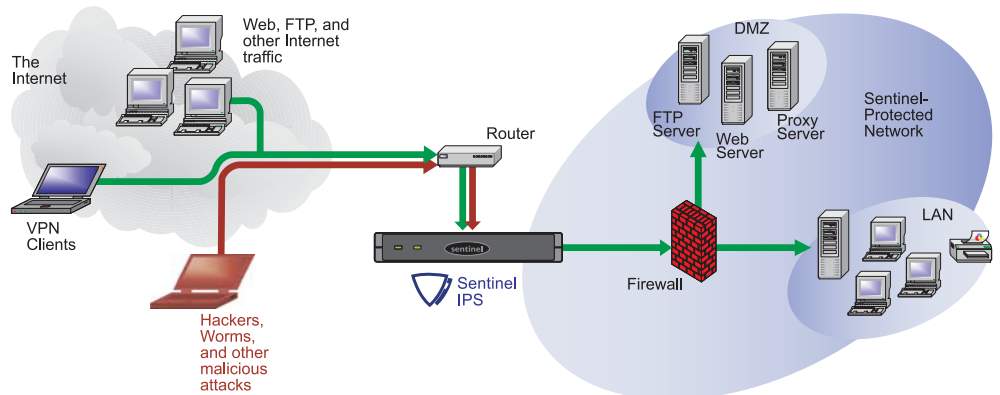
Ultra Adds enterprise-level performance in the same 1U form factor

What is Network Cloaking?

It's our proprietary technology that prevents network intrusions by making protected networks invisible to malicious external users, while allowing valid traffic to pass freely.

What does a typical installation look like?

Usually the Sentinel IPS is installed as a Layer 2 Bridge, behind your network's router, and in front of your current firewall.



Stopping Malware

The EPS module of the Sentinel IPS alerts you to the presence of malware and botnets, and prevents owned devices on your LAN from phoning home.

In addition, our Sentinel EPS device sits inside your network, working with your Sentinel IPS to specifically identify those pesky owned devices on your LAN.

“At a recent National Conference of IT professionals, I sat in a room with 7 other CIOs. None of them were running IDS or IPS. They said, ‘IDS is too much work and IPS is too expensive,’ so I told them about Sentinel IPS. It’s a slam dunk, no brainer.”
S.C.
IT Director,
Law Firm in Dallas